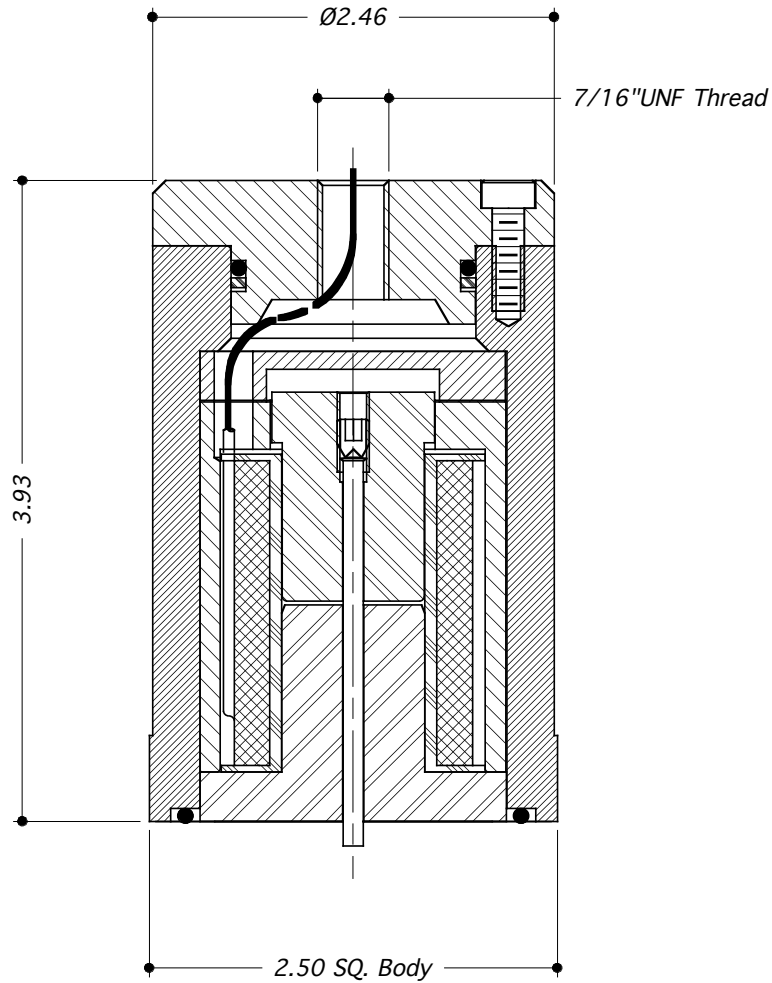


SOLENOID THRUSTER (SUB-SEA) TYPE: SW



- STAINLESS STEEL (316 / 1.4404)
- SUB-SEA OPERATION (DEPTH OF 21,000 FT)
- A SUB-SEA CONNECTOR IS NOT SUPPLIED WITH THE SOLENOID THRUSTER.
- ALL DIMENSIONS IN INCHES.



TECHNICAL SPECIFICATION		ORDERING EXAMPLE
Solenoid Type:	SW	SW
Voltage Rating:	24 V D.C.	
Power Rating:	15.5 Watts	
Dry Weight: (kg)	1.0	
Working Temperature Range:	-10°C to +60°C (Ambient)	